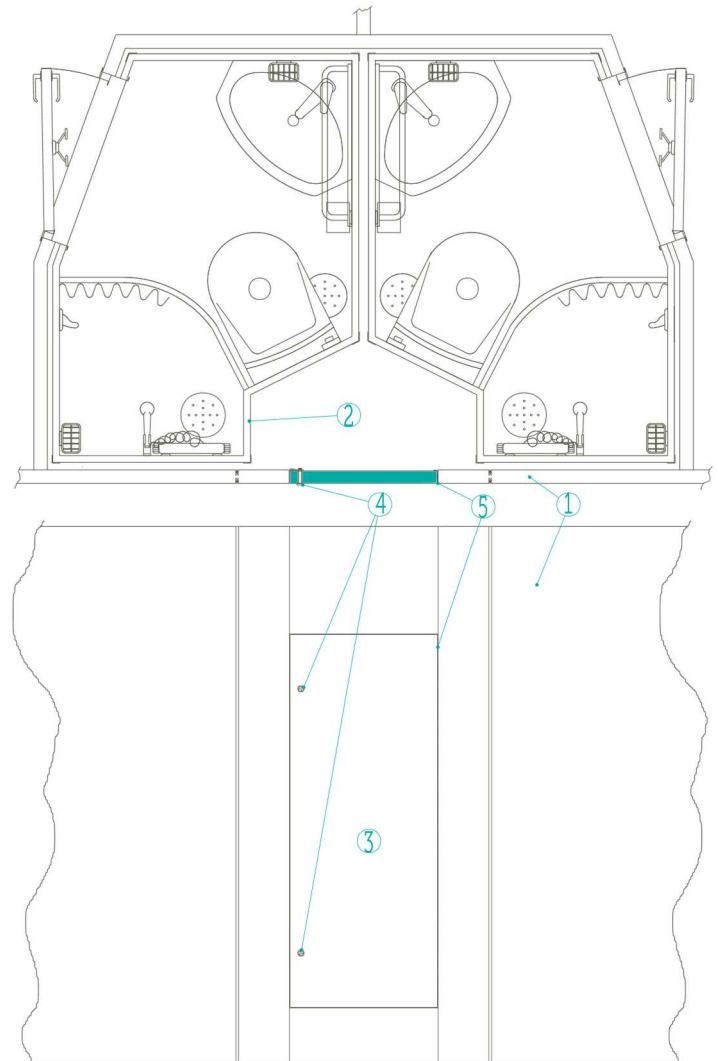


The NAVALIBER-ISOLIBER panel hatches are made to improve the access to electricity and plumbing connections. The connections are hidden behind the panels.

The core panel is a high-density rock wool, lined on both sides by a 0,7 mm thickness galvanized sheet finished with a decorative low flame spread PVC foil on visible face. Colours according with project.



- | Item | Denomination |
|------|----------------------|
| 1 | Isoliber 50 mm panel |
| 2 | Isoliber 25 mm panel |
| 3 | Hatch door |
| 4 | Lock |
| 5 | Continuous hinge |

TECHNICAL FEATURES	25 mm	50 mm
Linings	0,7 mm	0,7 mm
Standard finishing	150 µm PVC film	150 µm PVC film
Insulation	rock wool	rock wool
Max. length	2500 mm	3000 mm
Standard width	600-935 mm	Max. 600 mm
Thickness	25 mm	50 mm
Weight	16 kg/m ²	19 kg/m ²