

The core of the door leaf is a high-density rock wool of 150 kg/m<sup>3</sup>, reinforced with a frame of galvanized sheet of 1,5 and 3 mm thickness and above this a decorative sheet of 0,8 mm thickness is fitted. The finishing can be painted or low flame spread PVC film. Around the leaf, a stainless-steel edge trim is assembled. The total thickness of the door is 54 mm.

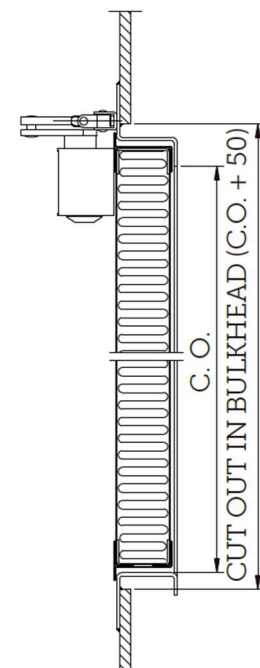
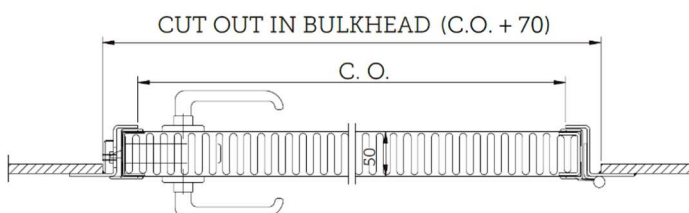
The frame is a 'Z' shaped 3 mm steel sheet, and can be finished in stainless steel or lacquered.

According to leaf size, the door can have three or four NAVALIBER L-shaped hinges, made of stainless steel as well as the rest of the hardware (handles, locks, escutcheons...)



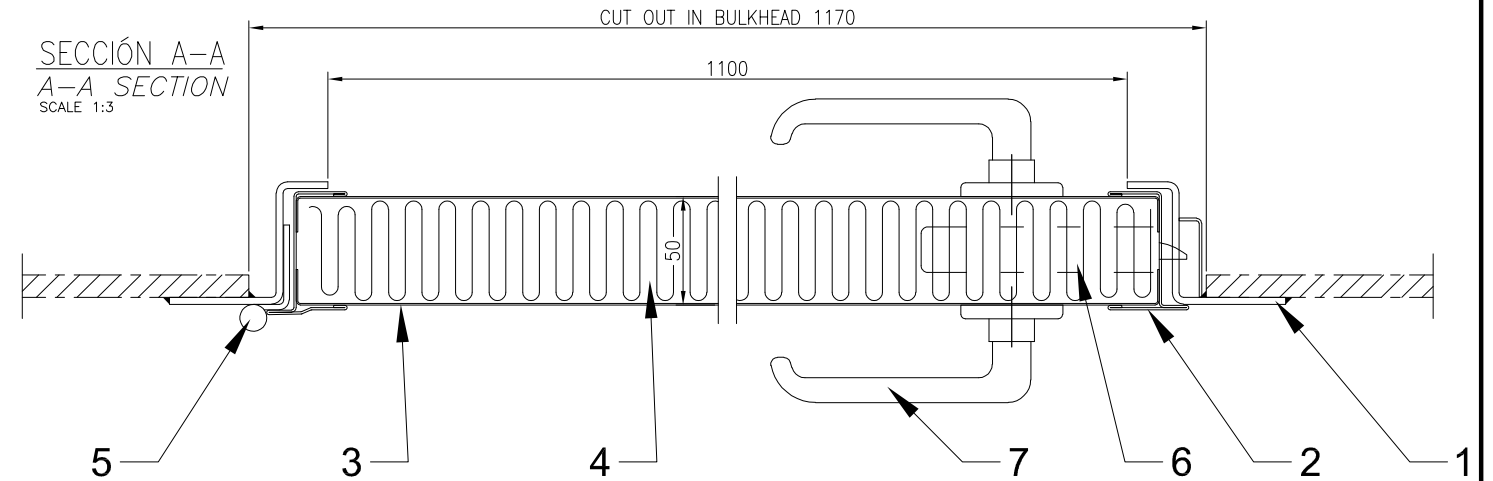
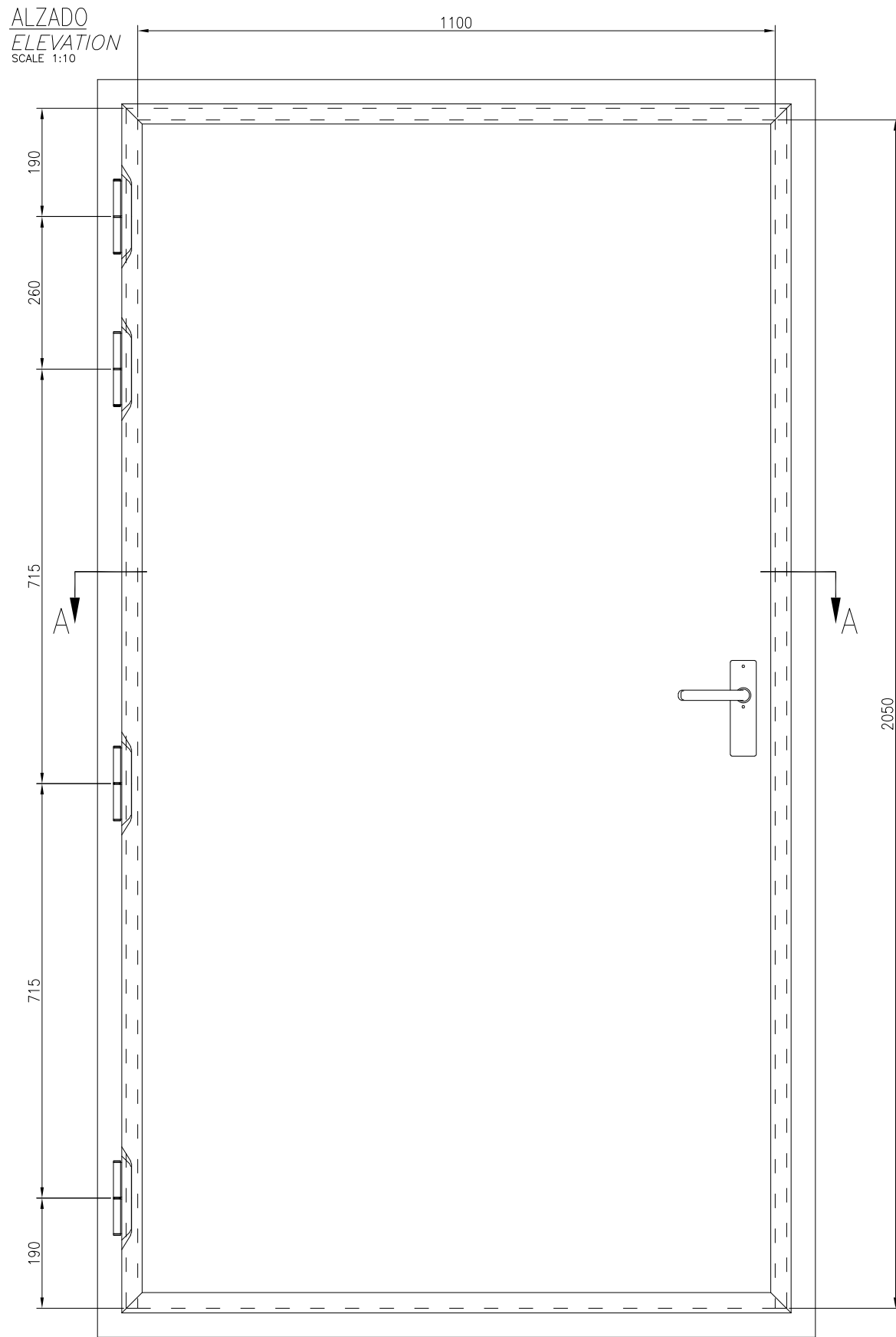
TECHNICAL FEATURES	NA-15
Door frame	3 mm
Door leaf frame	1,5-3 mm
Linings	0,8 mm
Finishing	150 µm PVC film
Insulation	rock wool
Max. vertical clear opening	2050 mm
Max. horizontal clear opening	1100 mm

OTHER FEATURES	NA-15
Thickness	50 mm
Weight	49,5 kg/m <sup>2</sup>
Classification	A-15



REVISION A : 01/06/16 NEW FIREPROF CLASSIFICATION A-15  
 REVISION B :  
 REVISION C :  
 REVISION D :

SUSTITUYE A :  
 Notas :



APERTURA EN MAMPARO: 1170 x 2100  
 CUT OUT IN BULKHEAD

RADIO DE ESQUINAS: 40mm  
 CORNERS RADIUM

7	ESCUDO Y MANILLA	HANDLE AND PLATE	ACERO CROMADO	CHROMED STEEL
6	CERRADURA	LOCK	METÁLICA SIN PIEZAS COMBUSTIBLES	METALLIC WITHOUT COMBUSTIBLE PARTS
5	BISAGRA	HINGE	BISAGRA ACODADA INOX. NAVALIBER	NAVALIBER ST. STEEL BENT HINGE
4	AISLAMIENTO	INSULATION	LANA DE ROCA DENSIDAD 150 kg/m <sup>3</sup>	150 kg/m <sup>3</sup> DENSITY ROCK WOOL
3	CARA DECORATIVA	LININGS	ACERO GALVANIZADO 0,8mm	0,8mm THICKNESS GALVANIZED PLATE
2	CANTONERA	EDGE TRIM	ACERO INOXIDABLE 0,8mm	0,8mm THICKNESS ST. STEEL PLATE
1	MARCO	FRAME	ACERO GALVANIZADO 3mm	3mm THICKNESS GALVANIZED PLATE

MARCA ITEM	DENOMINACIÓN DENOMINATION	MATERIAL MATERIAL
------------	---------------------------	-------------------



<b>CARACTERÍSTICAS</b> FEATURES Peso (kg.): Weight: 49,5 kg/m <sup>2</sup>		<b>DENOMINACIÓN</b> DENOMINATION PLANO GENERAL GENERIC DRAWING		Urban living at sea	
Material: SEGÚN E. T. y L. M. AS TECHNICAL SPEC. & MATERIAL LIST Tratamiento: SEGÚN E. T. y L. M. AS TECHNICAL SPEC. & MATERIAL LIST Acabado: SEGÚN E. T. y L. M. AS TECHNICAL SPEC. & MATERIAL LIST		GENERAL GENERAL <b>PUERTA NAVALIBER NA-15</b> <b>CLASIFICACIÓN AL FUEGO A-15</b> NAVALIBER NA-15 A-15 CLASSIFIED FIRE RETARDING DOOR		PLANO N° DRAWING No. <b>2016.PT02.FT</b>	
Dibuñado Drawn File 2016.PT02.FIRETEST.RevA.dwg		Dibujado Drawn Date J. M. G.		Escala Scale 1:10	
		Comprobado Verified Date E. V. P.		Aprobado Approved Date G. G. M. 29/04/16	
		Revisión : Revision : A		Fecha : Date : 01/06/16	
		HOJA SHEET 1		DE OUT OF 5	